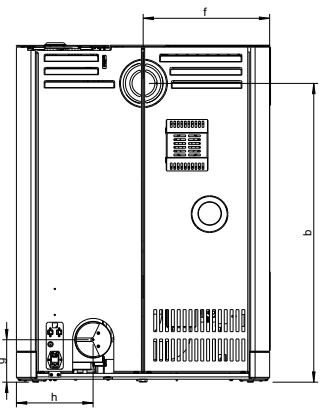
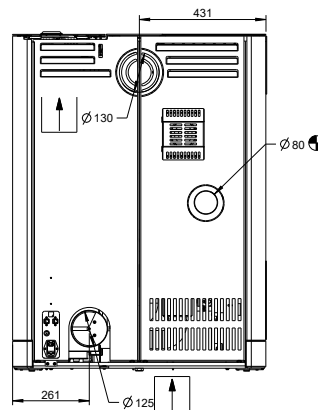
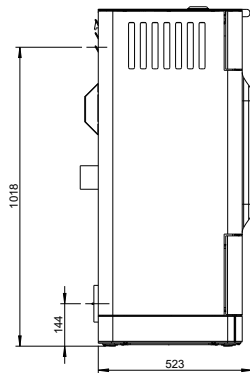
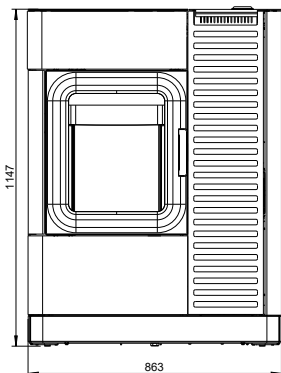
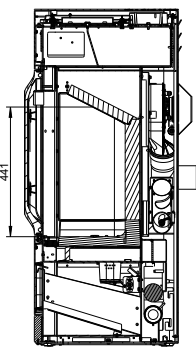
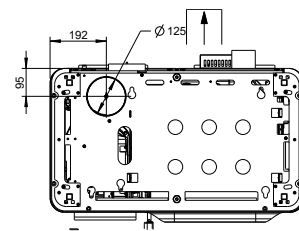
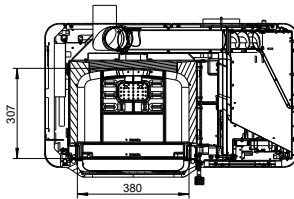
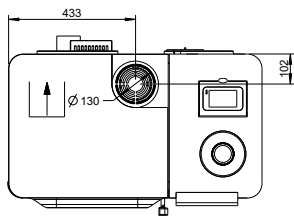


MO DUO



AUSTROFLAMM



www.austroflamm.com

Dimensions and weight

Height [mm]	1147
Width [mm]	863
Depth [mm]	523
Combustion chamber width [mm]	380
Combustion chamber height [mm]	437
Combustion chamber depth [mm]	307
Flue pipe outlet, diameter [mm]	130
Outside air connection diameter [Ø mm]	125
Weight, basic appliance [kg]	269
Weight Xtra [kg]	-
Total weight inc. steel case (STM) [kg]	269
Total weight inc. ceramic case (KGM) [kg]	-
Total weight inc. soapstone case (SPM) [kg]	-
b: Height of flue pipe connection, centre rear (as per diagram) [mm]	1017
f: Flue pipe connection from right (as per diagram) [mm]	431
g: Height of external air connection, centre (as per diagram) [mm]	144
h: External air connection from left (as per diagram) [mm]	261
a: Safety distance to combustible materials, front [mm]	1100
b: Safety distance to combustible materials, left [mm]	130
c: Safety distance to combustible materials, rear [mm]	170
d: Safety distance to combustible materials, right [mm]	100
Safety distance to combustible materials, floor [mm]	0
Minimum distance from non-flammable materials [mm]	50

Output

Nominal heat efficiency [kW]	9.4
Minimum heat output [kW]	2.8
Maximum heat output [kW]	9.4
Minimum room heating capacity [m ³]	114
Maximum room heating capacity [m ³]	305
Pellet hopper capacity [kg/l]	≈ 34/51
Minimum fuel throughput [kg/h]	0.6
Maximum fuel throughput [kg/h]	1.87
Burning time, minimum [h]	≈18
Burning time, maximum [h]	≈56
Power connection [V/Hz]	230 / 50

Data for the chimney sweep

Exhaust gas mass flow [g/s]	5.6
Flue gas temperature [°C]	219
Minimum delivery pressure at nominal heat output [Pa]	12
Minimum delivery pressure for chimney calculation [Pa]	3

Equipment

Room temperature sensor	Standard
Weekly timer	Standard
Automatic drop grate	Standard
Ash removal	
Balanced flue - DiBt (German Institute for Structural Engineering)	Yes
WLAN module	Accessories
Remote control	Accessories
Air distribution module	Accessories

- not available