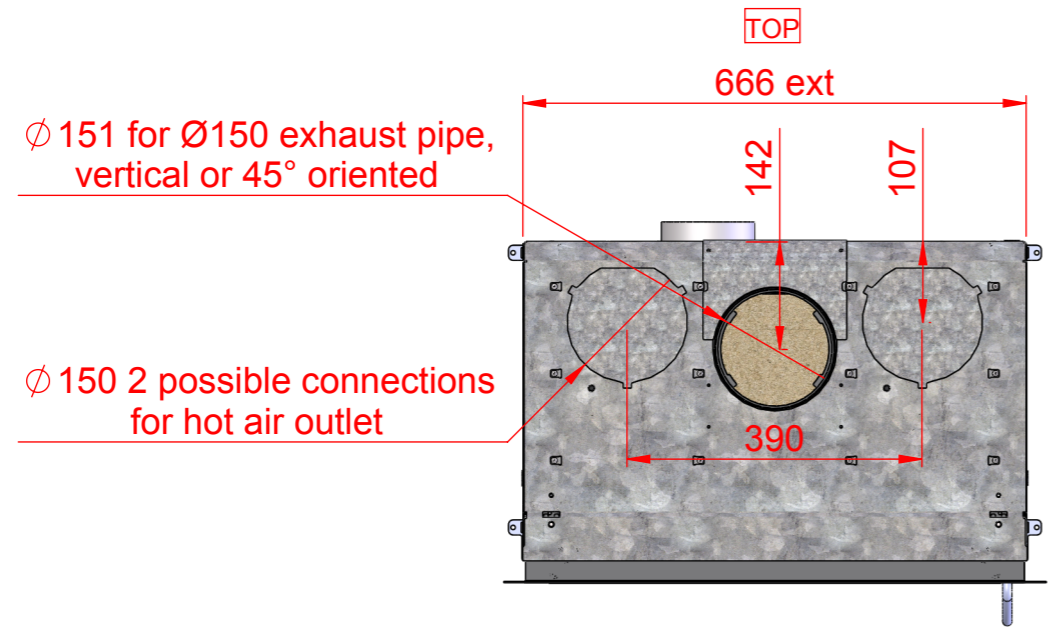
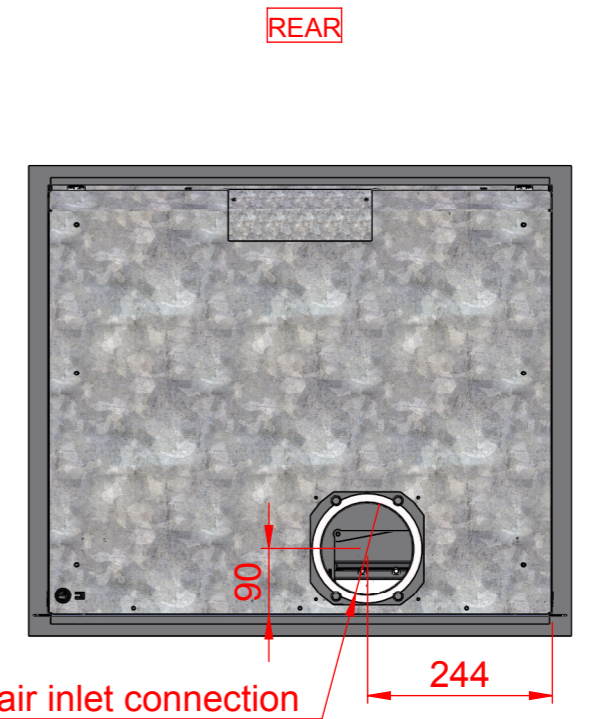
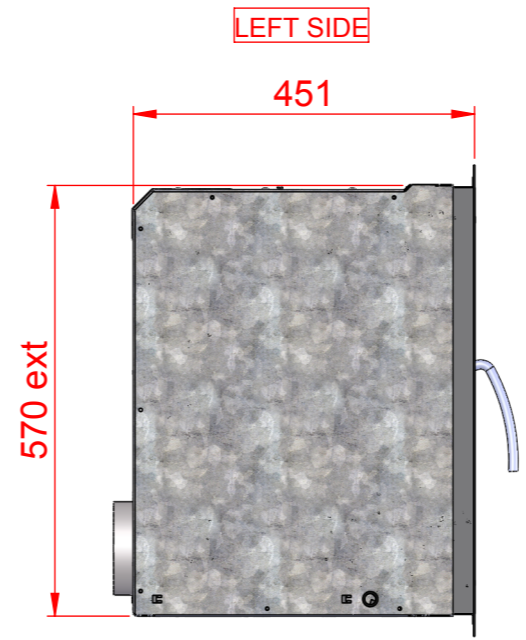
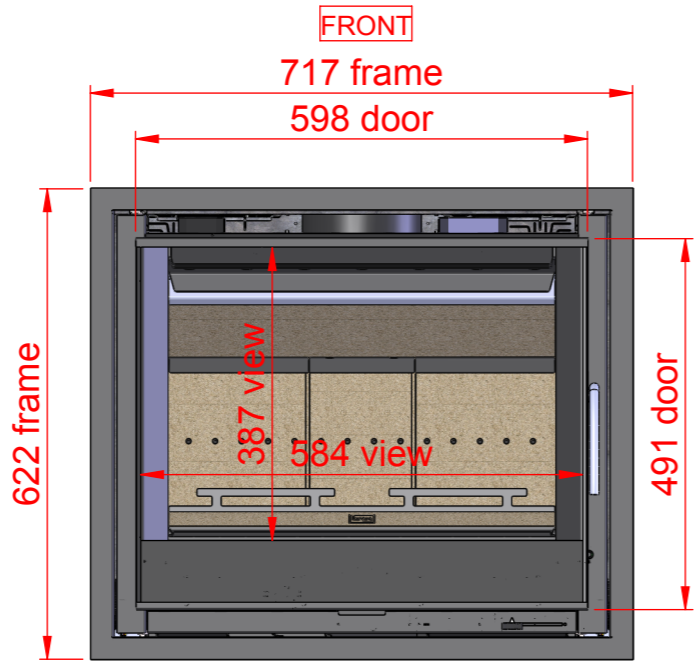
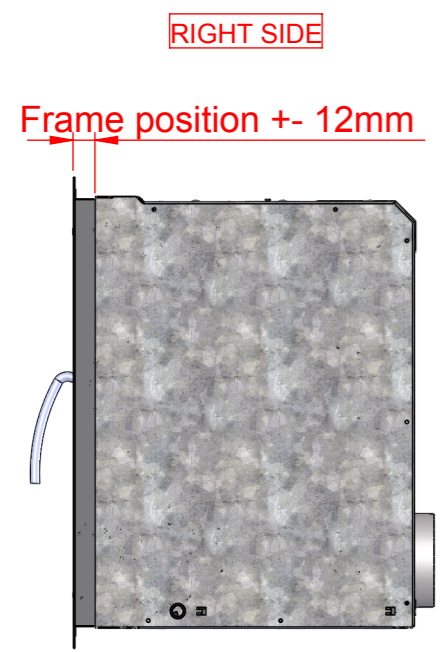
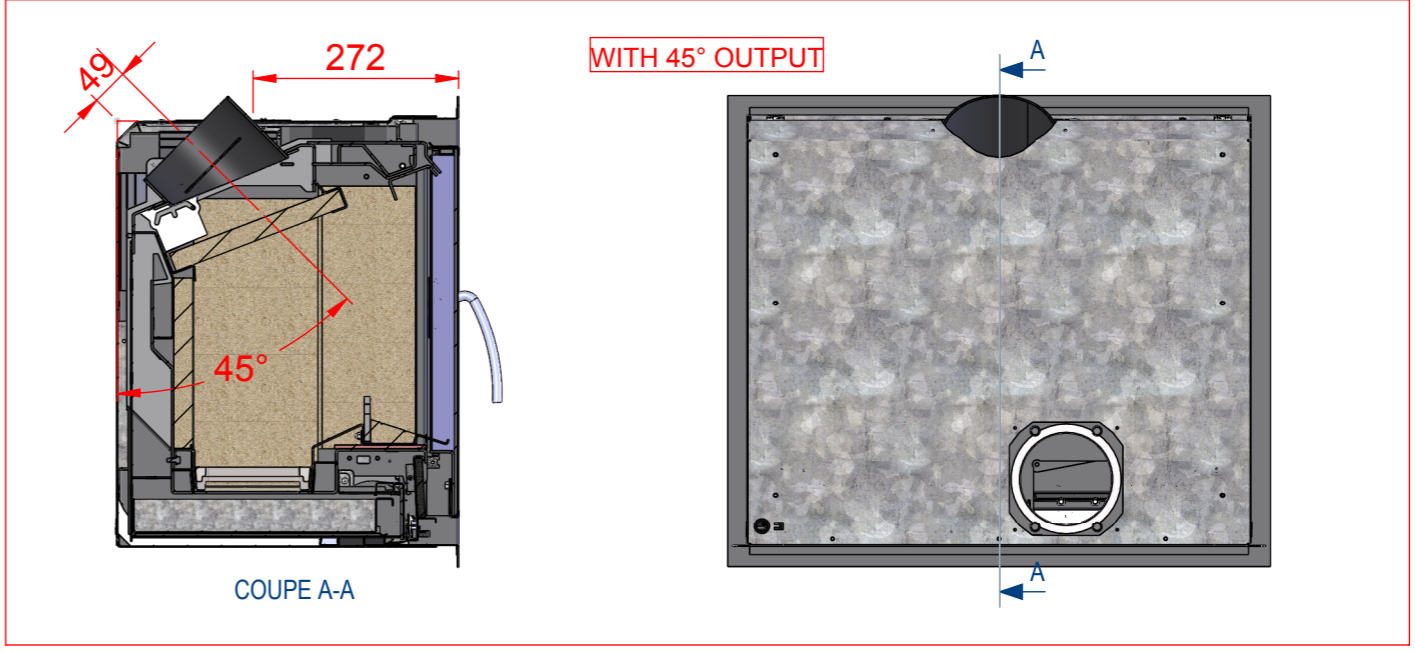




Other possible air inlet connection Ø125



| | | | |
|---|-----------|----------------------------|------------|
| 47J67CS - A | | Infire Easy 670 - cadre 4c | |
| MATERIAL | NA | DATE | 04/06/2019 |
| THICKNESS | NA mm | DESIGNER | MLE |
| WEIGHT | 101.51 kg | | |
|  | | | |
|  General tolerance [sheet metal]: ± 1 mm | | | |