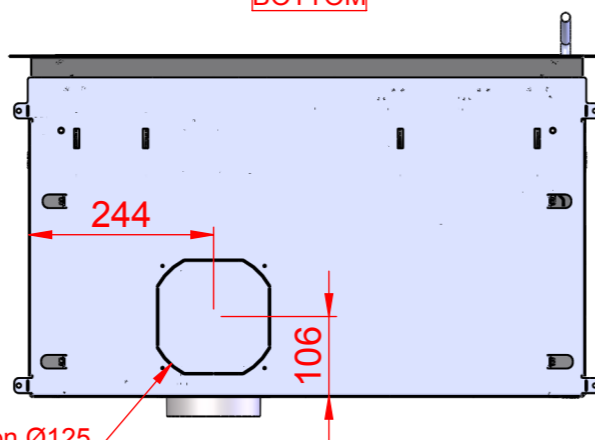
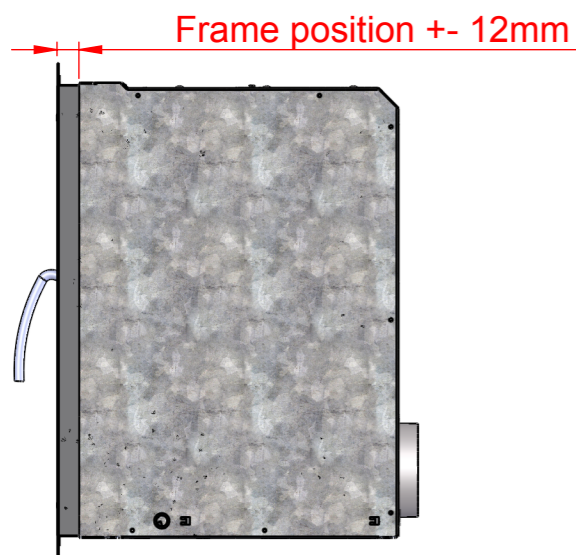


BOTTOM

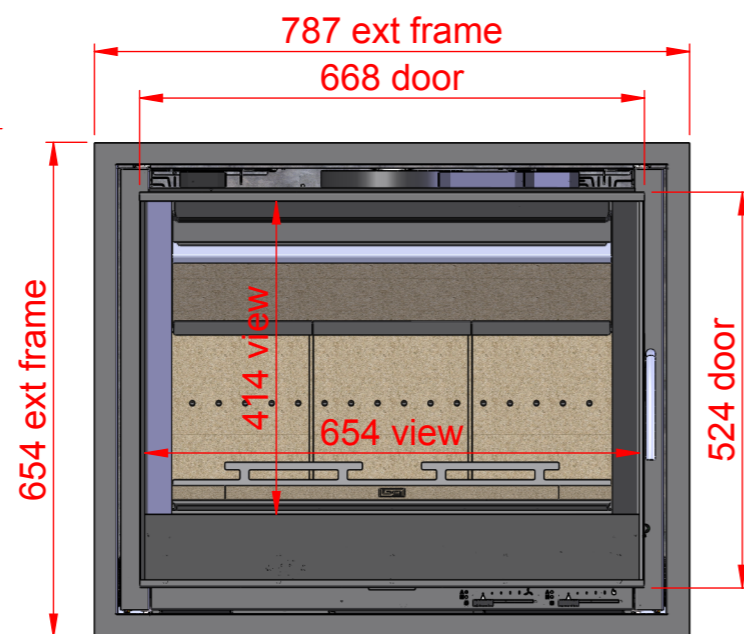


Other possible air inlet connection Ø125

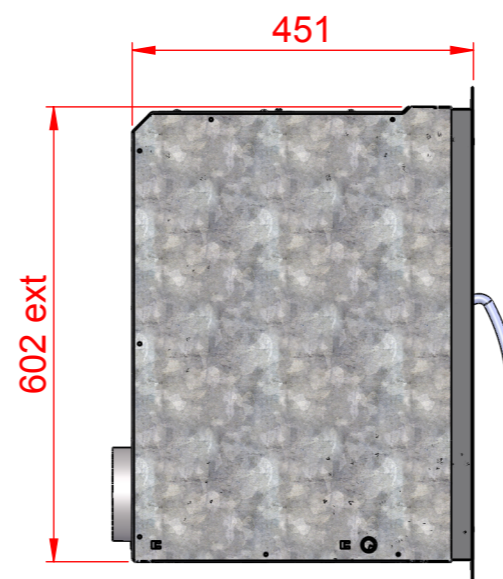
RIGHT SIDE



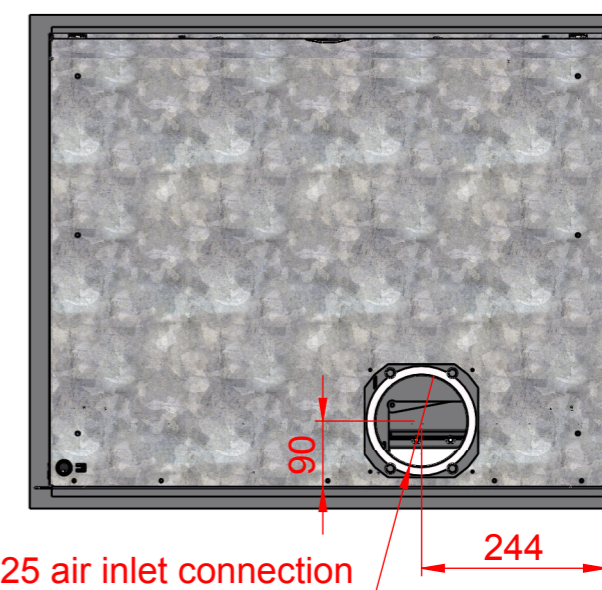
FRONT



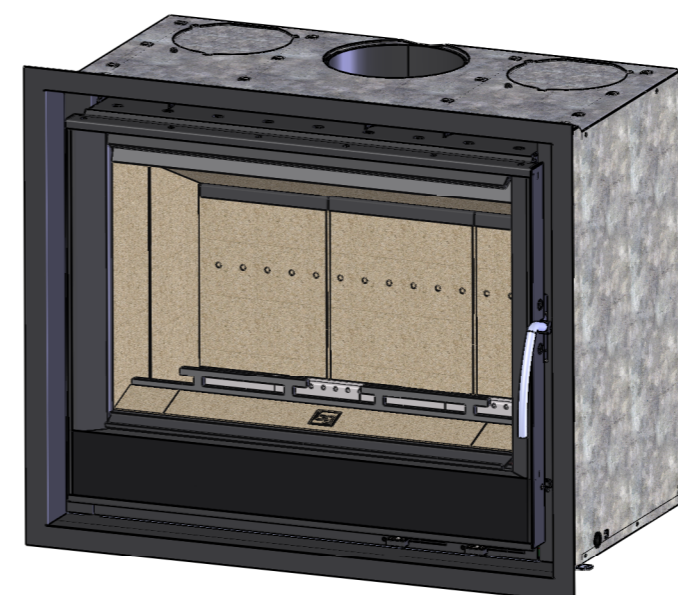
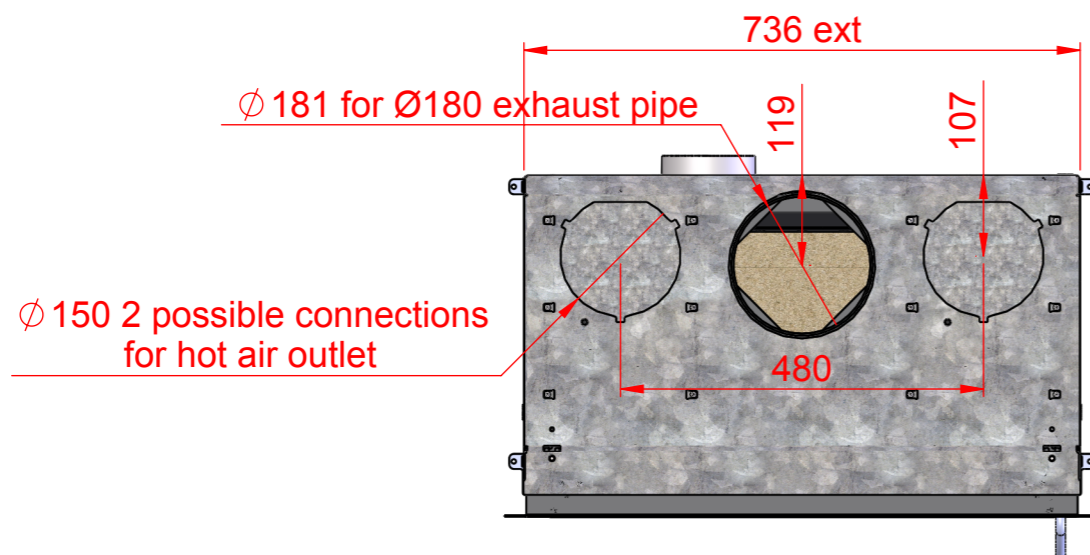
LEFT SIDE



REAR



TOP



47J74CS - A			
Infire Easy 740 - cadre 4c			
MATERIAL	NA	DATE	04/06/2019
THICKNESS	NA mm	DESIGNER	MLE
WEIGHT	113.56 kg		
General tolerance [sheet metal]: ± 1 mm			