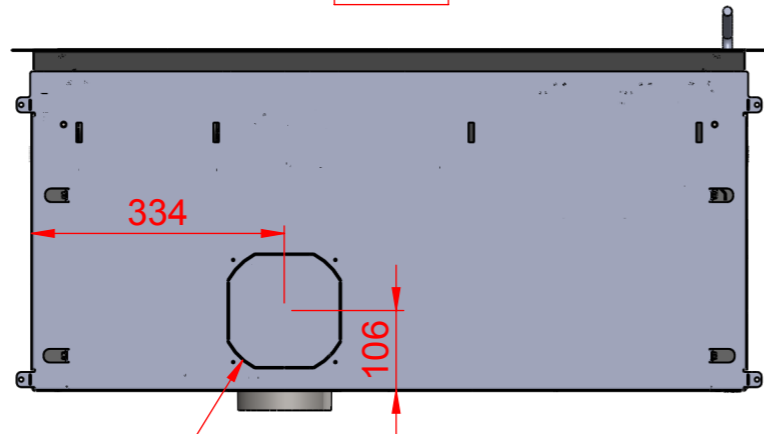
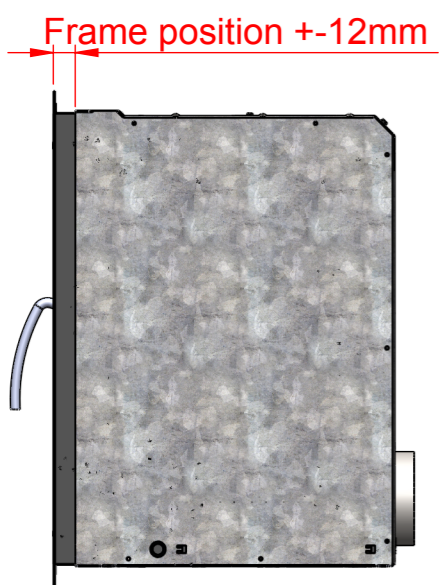


BOTTOM

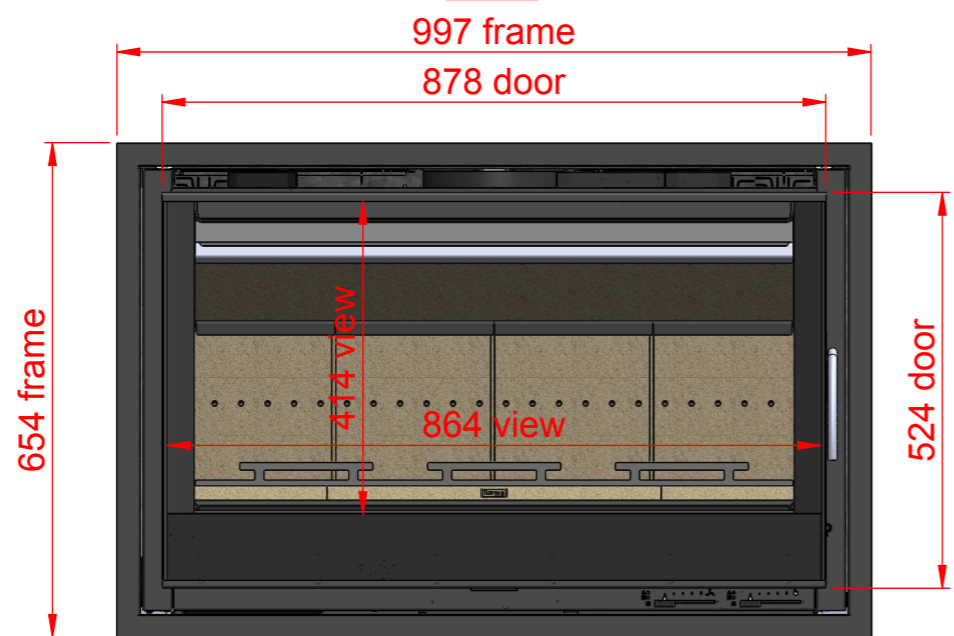


Other possible air inlet connection Ø125

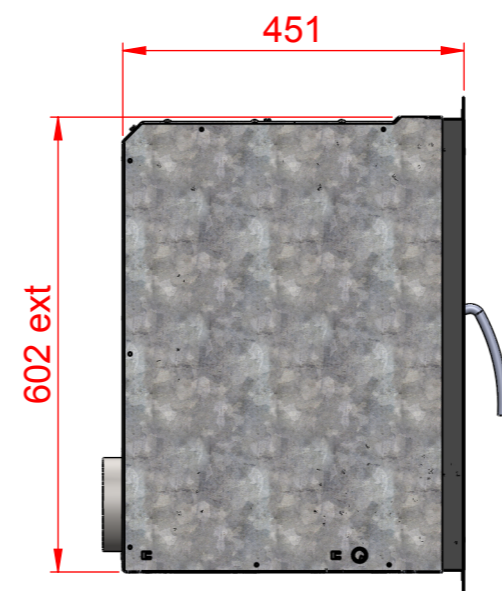
RIGHT SIDE



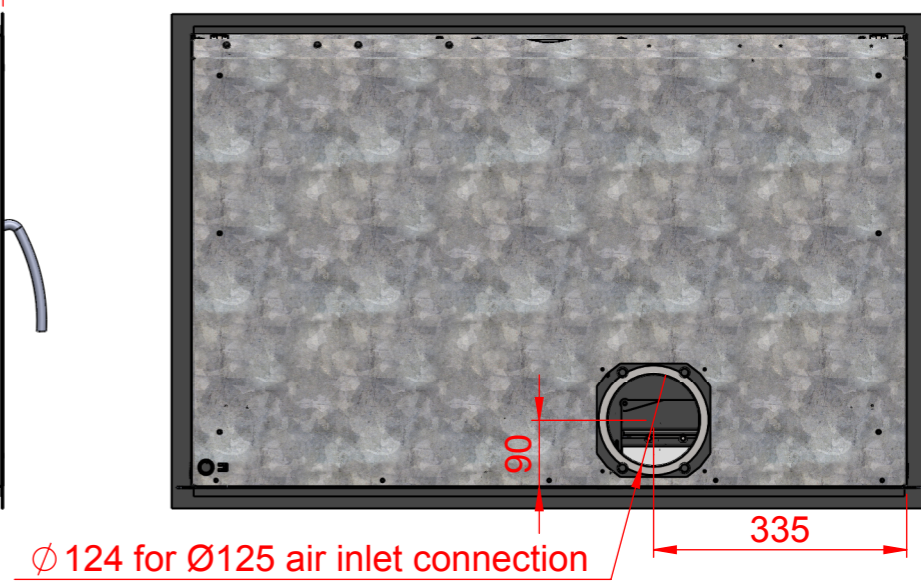
FRONT



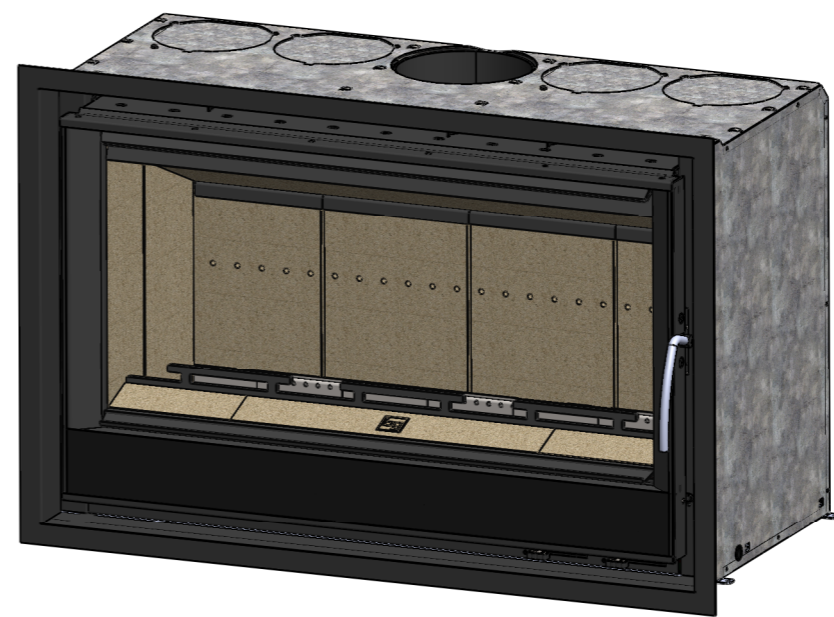
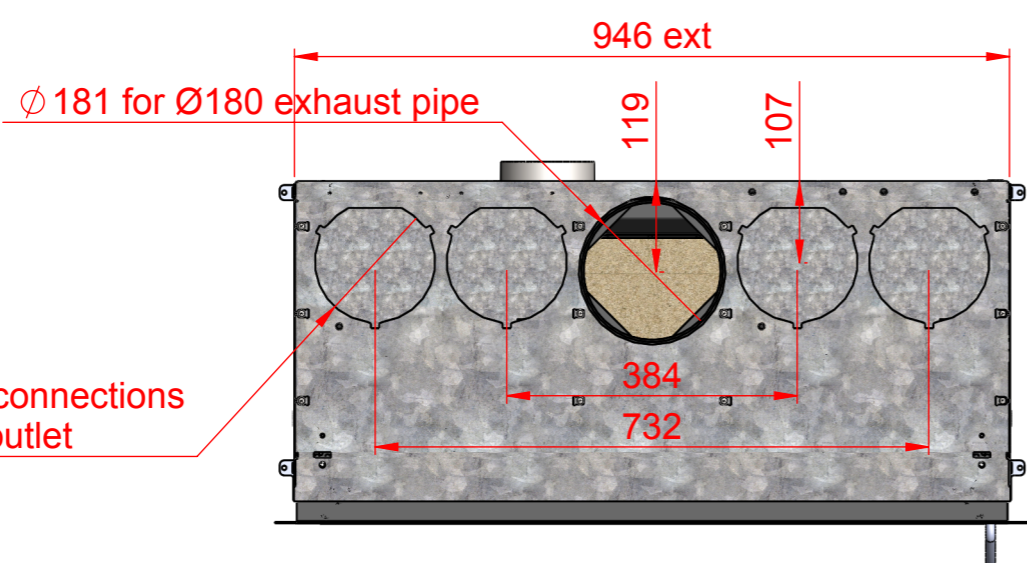
LEFT SIDE





REAR



TOP



47J95CS - A		Infire Easy 950 - cadre 4c	
MATERIAL	NA	DATE	04/06/2019
THICKNESS	NA mm	DESIGNER	MLE
WEIGHT	139.59 kg		
			
 General tolerance [sheet metal]: ± 0.5 mm			